



MODEL 16MS MICROSCANNER

- ◆ High Accuracy, Digital Temperature Compensation
- ◆ Low Voltage System Compatible

The 16MS MicroScanner is an evolution of Pressure Systems' ESP Scanners to provide pressure scanning capability in previously inaccessible locations. The 16MS is available in a standard manifold-mount version and a direct-mount version, which benefits those desiring to mount the scanner directly into the model surface for a flusher mounted configuration.

Utilizing proprietary Digital Temperature Compensation (DTC) technology, each MicroScanner is factory calibrated to compensate for non-linearity and temperature errors. The result is a highly accurate measurement with minimal thermal sensitivity. An optional dual range calibration provides two ranges of operation to increase measurement sensitivity, expand testing conditions and reduce user inventory management.

The MicroScanner is automatically identified at power up and is compatible with existing data systems such as Initium, Optimus, 8400, and FDS Flight Data System. Numerous third party integrators also provide compatible data systems.

An option for calibrating and operating with ± 5 -volt power instead of ± 12 -volt is available for use with low voltage systems.

Features

- ◆ Small Size
- ◆ High Scan Rate
- ◆ DTC Interface

Applications

- ◆ Wind Tunnel Models
- ◆ Dynamic Pressures
- ◆ F1 and Automotive

Theory of Operation

The MicroScanner is a pressure scanner with silicon pressure sensors that receives pneumatic pressure signals applied via direct connection to the test object or via flexible tubing into bulged tube connections on the associated manifold. The pressure signals are multiplexed and amplified to provide high level DC analog signals to an associated data system. The data system can be a Pressure Systems Optimus, Initium, FDS or 8400. Alternatively, third party integrators with DTC compatible data systems can also be used.

For standard manifold-mount MicroScanners, Pressure Systems' standard electric manifolds are attached to the MicroScanner with six screws. Electric manifolds incorporate O-rings to provide the pneumatic interface and spring loaded pogo-pins to provide the electrical interface. During normal operation the run manifold is used, providing 16 dedicated pressure input connections and one common reference connection. The reference connection can be left open to atmosphere for gauge pressure measurements or connected to a specific point for differential pressure measurements. The reference pressure connection can also be used to provide a verification pressure from an external pressure source to confirm proper operation before test. Measurement accuracy is maintained using the re-zero calibration, which is accomplished through the data system when the scanner is in a 'wind-off' condition.

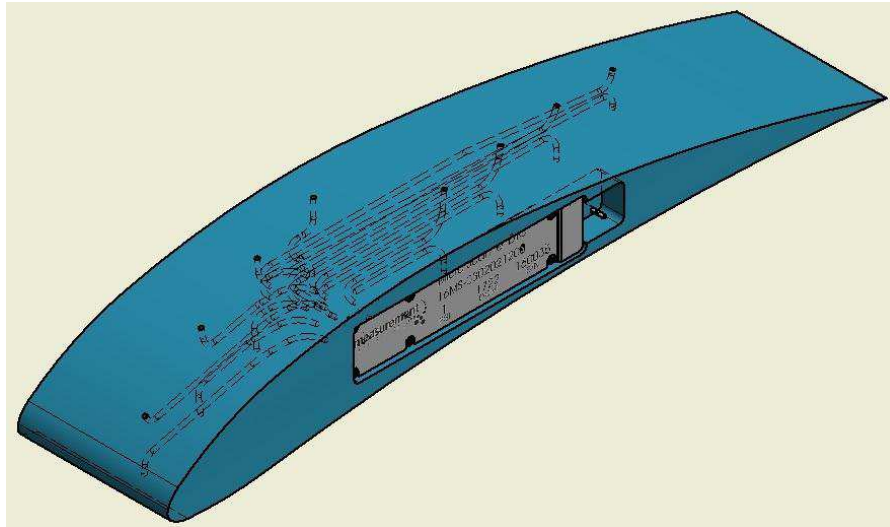
For direct-mount MicroScanners, use of a manifold is optional, as the MicroScanner can be mounted directly into the wind tunnel model's surface, thus minimizing pneumatic tubing lengths. This arrangement can be beneficial for those desiring dynamic measurements with minimal tubing attenuation and distortion. A gasket is available to accomplish pneumatic seals between the scanner and model interface.

At six month intervals, a span calibration is required to maintain stated accuracy. For this purpose, a calibration version of the available manifolds can be used. This calibration manifold has one pressure connection which reaches all sixteen measurement ports and one reference connection. Span calibration uses one or more pressures to update the span coefficients of each pressure sensor. The span calibration can be performed with atmospheric pressure on the reference port, or at an elevated reference pressure to simulate conditions within pressurized wind tunnels.

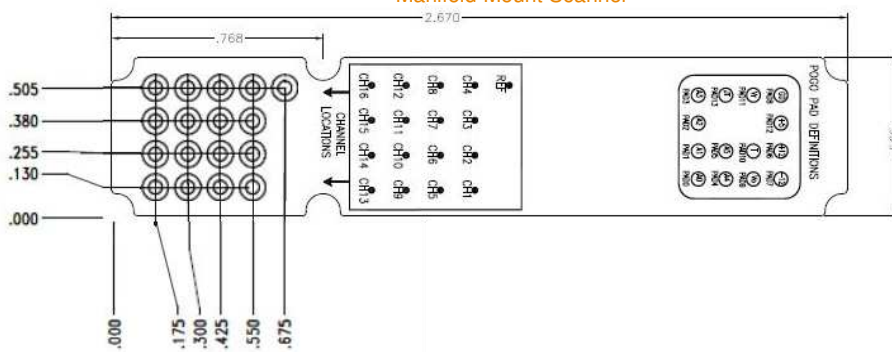
The MicroScanner uses the unique Pressure Systems DTC (Digital Temperature Compensation) technology. DTC technology is widely employed within the ESP family of pressure scanners. Factory calibration over the full pressure and temperature operating range generates a 24-coefficient correction for each of the measurement ports. The coefficients are stored in non-volatile memory within the pressure scanner. Compatible data systems extract and utilize these coefficients to provide highly accurate data by automatically correcting for the non-linearity and temperature sensitivity of each pressure sensor. For compatibility with older "non-DTC" data systems, the MicroScanner can also be operated as a conventional scanner. There is a reduction in accuracy and temperature correction, so such operation should be restricted to thermally stable test conditions.

Dual Range Calibration is an optional feature that utilizes the factory calibration of both normal range operation and sensitive range operation. For dual range operation the scanner is commanded to increase the gain of the amplifier while using separate calibration information to accurately measure a reduced pressure range. This feature is often used for multiple test configurations and to perform separate tests without needing to change the pressure scanner. Dual Range pressure scanners can also reduce inventory management by providing one scanner capable of performing all the testing at specific facilities.

Direct-Mount Microscanner Application
Direct-Mount Scanner



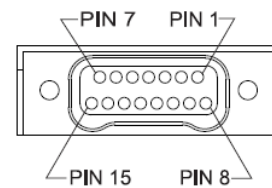
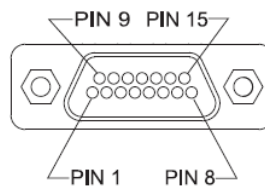
Electrical and Pneumatic Connection
Manifold-Mount Scanner



Manifold Connector

Direct-Mount Scanner Connector

| PINOUT | Function |
|--------|---------------------------|
| 1 | A0_IN |
| 2 | A1_IN |
| 3 | A2_IN |
| 4 | A3_IN |
| 5 | A4_IN |
| 6 | +12 (+5) VDC |
| 7 | -12 (-5) VDC |
| 8 | +5 VDC |
| 9 | Reserved (connect to GND) |
| 10 | GND |
| 11 | VOUT |
| 12 | A5_IN |
| 13 | GND |
| 14 | Vref |
| 15 | VTEMP |



Performance Specifications

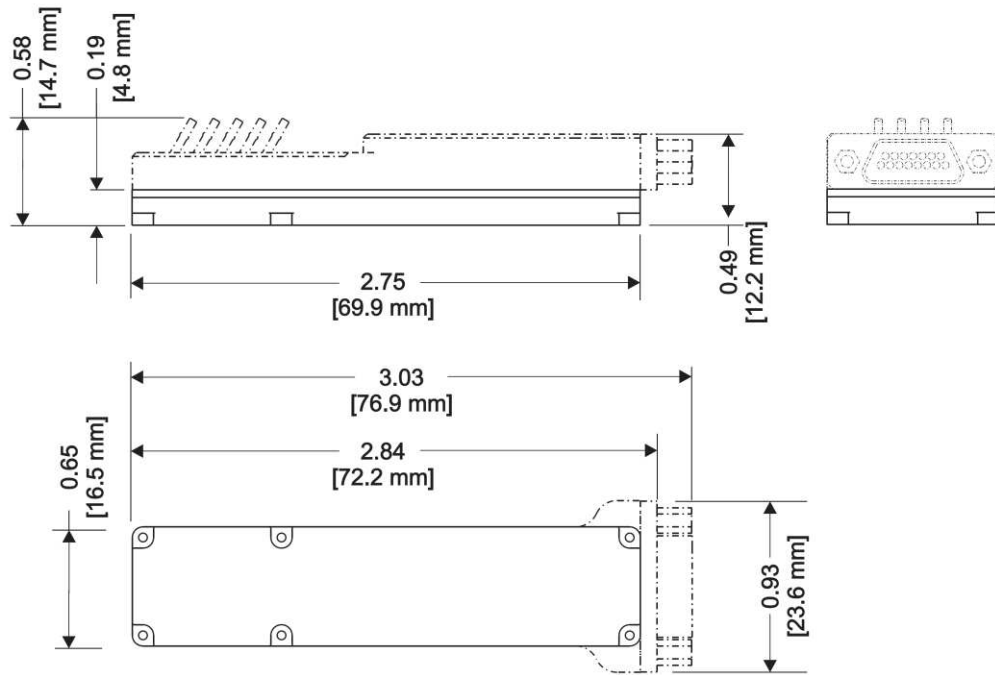
| PERFORMANCE SPECIFICATIONS - MICRO SCANNER | | | | |
|--|--|--|--------|--|
| PARAMETER | MICROSCANNER 16 | MICROSCANNER 16 | UNITS | COMMENTS |
| | DTC OPERATION | CONVENTIONAL OPERATION | | |
| Number of Pressure Inputs | 16 | 16 | Ports | |
| Scan Rate | 100,000 | 100,000 | Hz | Port to Port |
| Resolution | 0.003 | 0.003 | % FS | Noise Floor Analysis |
| Static Accuracy | | | | |
| -12 to +Full-scale psid ¹ | ±0.05 | ±0.10 | % FS | 32 averages, Ranges ≥ 5 |
| -Full-scale to + Full-scale | ±0.10 | ±0.20 | | 32 averages, Ranges < 5 |
| Static Accuracy at 33% Range | ±2x rated-spec | N/A | % FS | 32 averages |
| Thermal Stability Full Range | ±0.002 ±0.004 | ±0.25 ±0.25 | % FS | Per °C, Ranges ≥ 5 Per °C, Ranges < 5 |
| Proof Pressure | 4x | 4x | FS | 100 psid maximum |
| Maximum Reference Pressure | 50 | 50 | psid | |
| Line Pressure Effect | ±0.001 | ±0.001 | % FS | Per psi |
| Media Pressure Port | | | | Non Corrosive Gas up to 100% Humidity Non Condensing |
| Media Reference Port | | | | Non Corrosive Gas |
| Pneumatic Connection | | | | 0.040" bulged tubes ² |
| Power ³ | +12 (+5) VDC -12 (-5) VDC +5 VDC | +12 (+5) VDC -12 (-5) VDC +5 VDC | | at 30 mA at 10 mA at 10 mA |
| Pressure Max Full Scale Output Standard Interface | ±4 | ±4 | VDC | Nominal |
| Pressure Max Full Scale Output ±5 V-option | ±3 | ±3 | VDC | Nominal |
| Electrical Connection | | | | 15 pin Socket ⁴ |
| Compensated Temp Range | 0-100 | 0-100 | °C | |
| Operating Temp Range | -20 to +100 | -20 to +100 | °C | |
| Storage Temp Range | -25 to +100 | -25 to +100 | °C | |
| Vibration | 10 | 10 | g | 15-2000 Hz |
| Weight | 2 | 2 | Ounces | Scanner and Manifold |
| Dimensions | | | | |
| Standard MicroScanner | 2.75 x 0.650 x 0.190 | same | Inches | L x W x H |
| Direct Mount MicroScanner | 3.12 x 0.650 x 0.190 | | | |
| Electric Manifold | 3.03 x 0.930 x 0.580 | | | |

Notes:

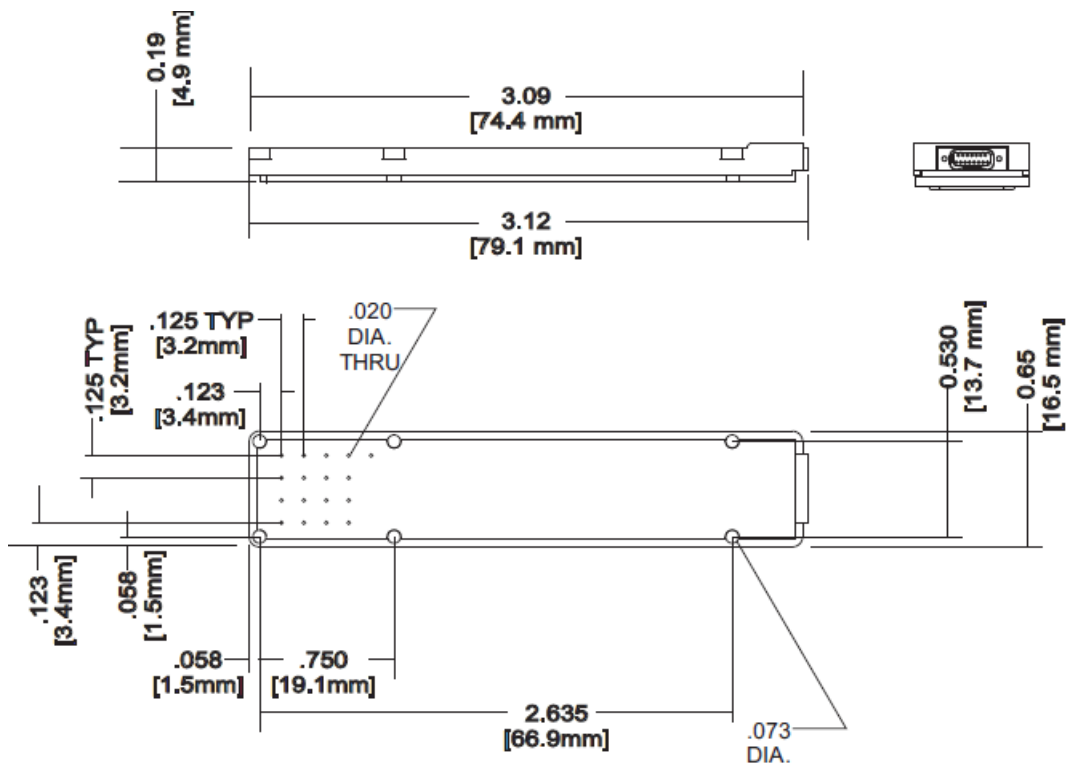
1. Negative full-scale for 5 psi range and below is equal to its positive full-scale range
2. If used with Run or Calibration Electric Manifold
3. Absolute maximum power without damage is +15VDC, -15VDC and +5.25VDC respectively
4. Mil-C-83513 Style Micro miniature D Connector installed on Electronic Manifold. Direct Mount MicroScanner has integrated Duallobe Nano miniature D Connector.

Drawings

Standard



Direct Mount



Ordering Information

16MS-AABBCCDDEE

Example 16MS-0702001100 MicroScanner, ±15 psid, No Connector, Single Range Cal, Standard

| AA = Pressure Range | BB = Scanner Type | CC = Voltage Option | DD = Calibration Option | EE = 00 |
|---------------------|-------------------|---------------------|-------------------------|---------|
| 03, ± 1 psi | 01, Standard | 00, Standard | 11, Single Range | |
| 04, ± 2.5 psi | 02, Direct Mount | 02, ±5 Volt | 12, Dual Range | |
| 05, ± 5 psi | | | 28, DAQ Operation | |
| 07, ± 15 psi | | | | |
| 09, ± 45 psi | | | | |

Manifolds

Standard

16MS-EMC0000000, Electric Manifold, Calibration, 0.040" 60 degree tubes, 15 pin mdm-shell connector

16MS-EMR0000000, Electric Manifold, Run, 0.040" 60 degree tubes, 15 pin mdm-shell connector

Direct Mount

16DM-EMC0000000, Manifold, Calibration, 0.040" 60 degree tubes

16DM-EMR0000000, Manifold, Run, 0.040" 60 degree tubes

24-28-16110, Pneumatic Gasket

Cables

MSCB-1240000006, Direct Mount to PSCB/OSCB adapter cable, 6"

NORTH AMERICA

Measurement Specialties, Inc.
a TE Connectivity Company
Tel 800-522-6752
customercare.hmpt@te.com

EUROPE

Measurement Specialties (Europe), Ltd.,
A TE Connectivity Company
Tel 800-440-5100
customercare.dtm@te.com

ASIA

Measurement Specialties (China), Ltd.,
a TE Connectivity Company
Tel 0400-820-6049
customercare.shzn@te.com

TE.com/sensorsolutions

Measurement Specialties, Inc., a TE Connectivity company.

Measurement Specialties (MEAS), American Sensor Technologies (AST), TE Connectivity, TE Connectivity (logo) and EVERY CONNECTION COUNTS are trademarks. All other logos, products and/or company names referred to herein might be trademarks of their respective owners.

The information given herein, including drawings, illustrations and schematics which are intended for illustration purposes only, is believed to be reliable. However, TE Connectivity makes no warranties as to its accuracy or completeness and disclaims any liability in connection with its use. TE Connectivity's obligations shall only be as set forth in TE Connectivity's Standard Terms and Conditions of Sale for this product and in no case will TE Connectivity be liable for any incidental, indirect or consequential damages arising out of the sale, resale, use or misuse of the product. Users of TE Connectivity products should make their own evaluation to determine the suitability of each such product for the specific application.

© 2017 TE Connectivity Ltd. family of companies All Rights Reserved.