

MMS 212

1/2“ Measurement Microphone

for rugged environment

- free-field
- 3,5 Hz to 20 kHz
- 15 dBA to 139 dB
- IEPE (BNC)
- Microphone power supply: IEPE
- TEDS acc. IEEE 1451



The MMS212 is very insensitive to extreme temperature, humidity, dust and vibration and therefore designed for applications in rugged environments. It can be calibrated with a standard 1/2“ sound calibrator.

The electrical connection is via a BNC cable to devices with IEPE supply. An integrated power-on indicator permanently shows the correct function. The measurement microphone is suitable for sound level meters of IEC Type 1 acc. IEC 61672.

Delivery

Measurement microphone, in wooden case 127 mm x 87 mm x 55 mm	MMS 212	318020
--	---------	--------

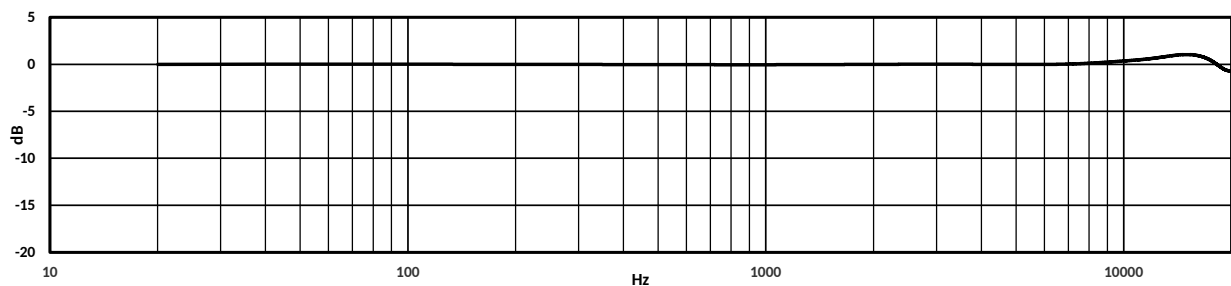
Options and Accessories

Microphone holder, turnable	MH 64	302332
Microphone holder	MH 21	302351
Windscreen	W 2	302329
BNC cable, length: 2 m, IP 67	BNC.02 IP 67	302252
BNC cable, length: 5 m, IP 67	BNC.05 IP 67	302253
BNC cable, length: 10 m, IP 67	BNC.1 IP 67	302254
BNC cable, length: 20 m, IP 67	BNC.2 IP 67	302255
Accredited calibration	K-MM-EA-PK Kalibrator	451003

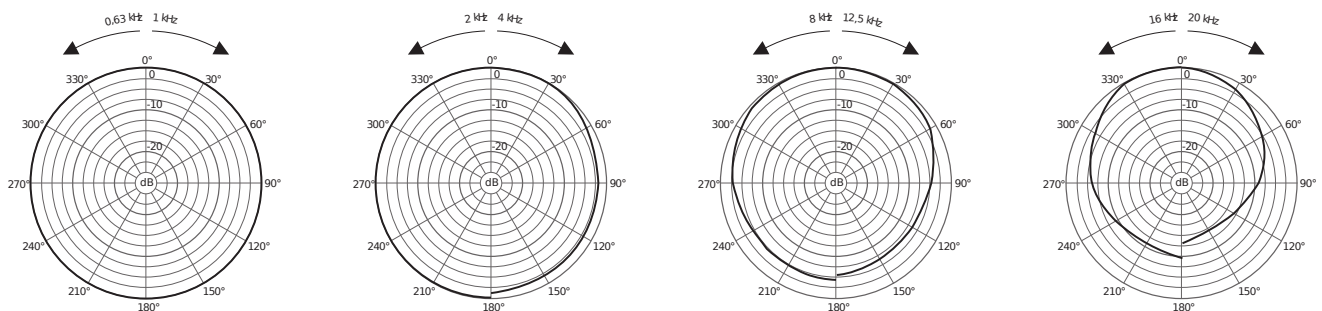
Technical Specifications



Transducer type		Capacitive pressure transducer
Frequency range	±2.0 dB	3.5 Hz to 20 kHz
zero degree incidence		
Sensitivity		50 mV/Pa
Sensitivity	re 1 V/Pa	-26 dB ±1.5 dB
Max. SPL for	Peak	139 dB
3% THD at 1 kHz	RMS	136 dB
Inherent noise		15 dBA
Output impedance		<100 Ohm
Current consumption		2 mA to 20 mA
Power supply		24 V DC to 30 V DC
Temperature range, operation		-40 °C to +125 °C
Temperature range, storage		-40 °C to +80 °C
Temperature coefficient	at 250 Hz	≤0.01 dB/K
Static pressure coefficient	at 250 Hz	-0.00001 dB/Pa
Humidity limits		r.H. <100%, non condensing
Diameter	without protection grid	12.7 mm ± 0.05 mm
	with protection grid	13.2 mm ± 0.05 mm
Length		97 mm
Weight		45 g
Plug		BNC
Microphone identify memory		256-Bit 1-Wire™ EEPROM
IP rating	preamplifier	IP 67



Typical frequency response



Microtech Gefell GmbH · Georg-Neumann-Platz · 07926 Gefell · Germany

Phone +49 (0)36649 882-0 · Fax +49 (0)36649 882-11 · www.microtechgefell.de · info@microtechgefell.de