

MMS 214

1/2" Measurement Microphone

with particularly low inherent noise level

- free-field
- 2 Hz to 20 kHz
- 6,5 dBA to 104 dB
- IEPE (BNC)
- Microphone power supply: IEPE
- TEDS acc. IEEE 1451



The MMS 214 has a particularly low inherent noise level and is designed for acoustic measurements of low sound pressure levels close to the threshold of human hearing. The electrical connection is via a BNC cable to devices with IEPE supply.

The microphone preamplifier internally generates the polarization voltage for the externally polarized microphone capsule. The measurement microphone is equipped with a built-in memory for microphone identification (TEDS acc. IEEE 1451).

Delivery

Measurement microphone, in wooden case 210 mm x 68 mm x 50 mm	MMS 214	318019
--	---------	--------

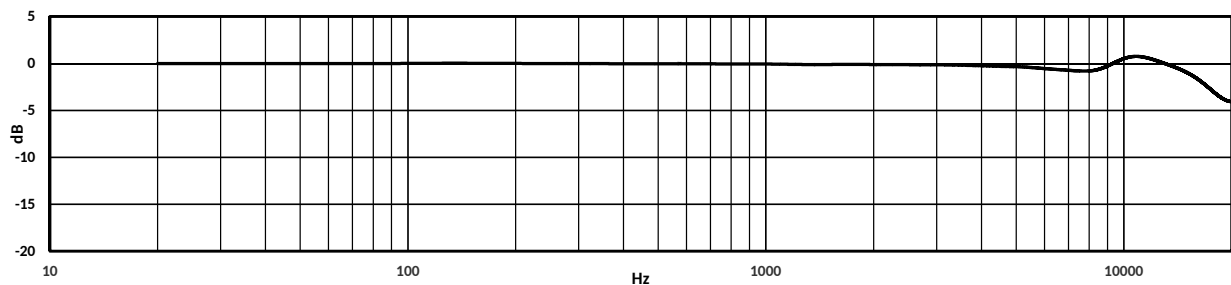
Options and Accessories

Microphone holder, turnable	MH 64	302332
Microphone holder	MH 21	302351
Windscreen	W 2	302329
BNC cable, length: 2 m	BNC.02	302219
BNC cable, length: 5 m	BNC.05	302220
BNC cable, length: 10 m	BNC.1	302221
BNC cable, length: 20 m	BNC.2	302222
Accredited calibration	K-MM-EA-PK Kalibrator	451003

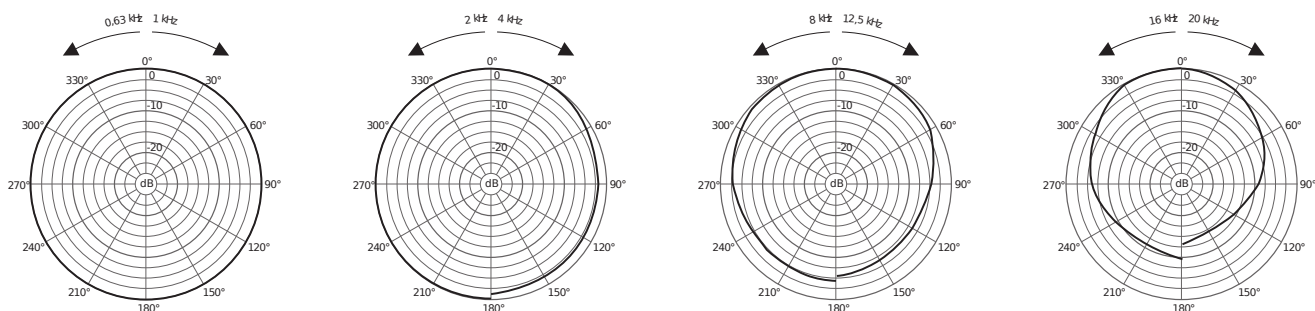
Technical Specifications



Transducer type		Capacitive pressure transducer
Frequency range	±2.0 dB	2.5 Hz to 16 kHz
zero degree incidence	±3.0 dB	2.0 Hz to 20 kHz
Sensitivity		320 mV/Pa
Sensitivity	re 1 V/Pa	-10 dB ±2.5 dB
Max. SPL for 3% THD at 1 kHz	Peak, 20 Hz to 5 kHz	116 dB
	Peak, 20 Hz to 20 kHz	104 dB
	RMS, 20 Hz to 5 kHz	113 dB
	RMS, 20 Hz to 20 kHz	101 dB
Inherent noise		6.5 dBA
Output impedance		<100 Ohm
Current consumption		4 mA to 20 mA
Power supply		24 V DC to 30 V DC
Temperature range, operation		-20 °C to +60 °C
Temperature range, storage		-40 °C to +80 °C
Temperature coefficient	at 250 Hz	≤0.01 dB/K
Static pressure coefficient	at 250 Hz	-0.00001 dB/Pa
Humidity limits		r.H. <100%, absence of condensation
Diameter	without protection grid	12.7 mm ± 0.05 mm
	with protection grid	13.2 mm ± 0.05 mm
Length		135 mm
Weight		250 g
Plug		BNC
Microphone identify memory		256-Bit 1-Wire™ EEPROM



Typical frequency response



Microtech Gefell GmbH · Georg-Neumann-Platz · 07926 Gefell · Germany

Phone +49 (0)36649 882-0 · Fax +49 (0)36649 882-11 · www.microtechgefell.de · info@microtechgefell.de